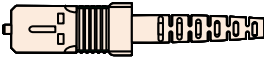

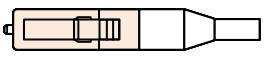

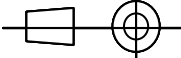
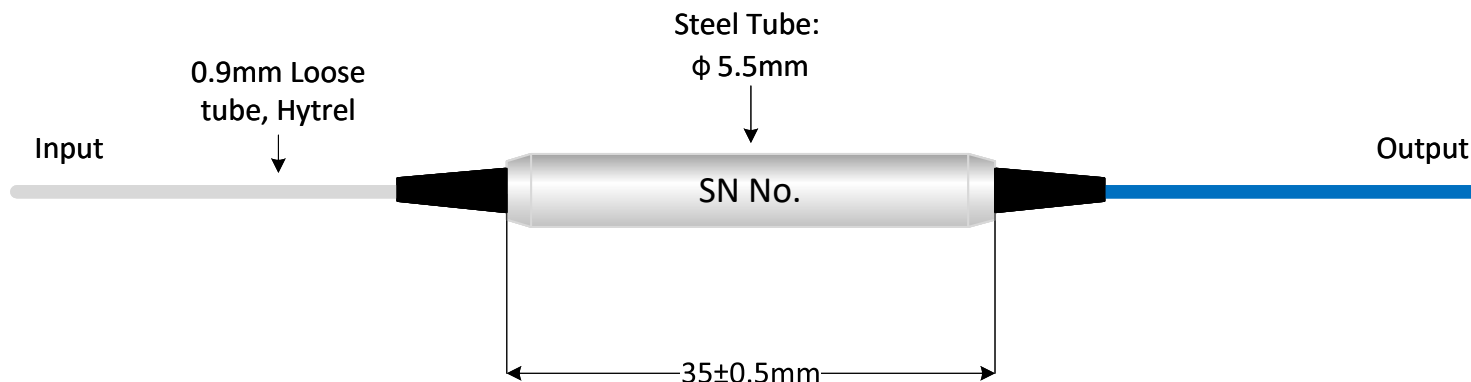


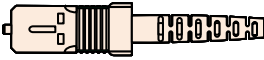

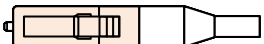
Specifications:


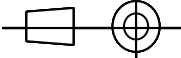
Parameter	Value	
Stage	Single	Dual
Operating wavelength	1310±10nm	1310±15nm
Min .Isolation@23°C	25dB	35dB
Max. Insertion loss@23°C	0.8dB	0.9dB
Return loss (In/out)	>35/30dB	
PDL	<0.2dB	
Max. Power Handing	0.3/1/3/5/10CW	
Max. Tensile Load	5N	
Fiber Type	MM 62.5/125; 50/125 Fiber/ as requested	
Operating Temperature	-20~+70°C	
Storage Temperature	-40~+85°C	
Dimensions	Φ 5.5*L35mm(<10W); 60*12*8(>10W)	
Connector Type		SC
		FC
		LC
		Others

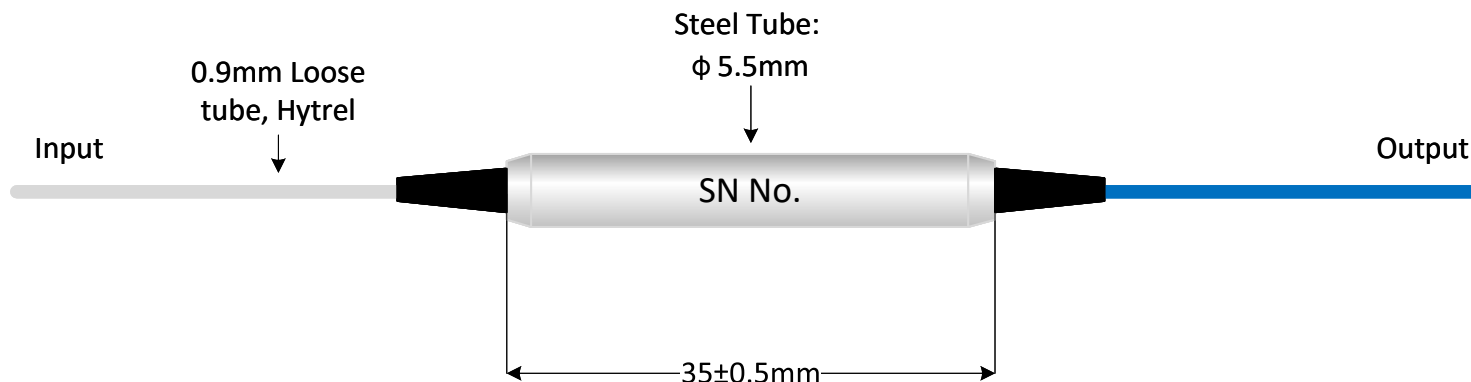
		OPTICO GROUP CO., LIMITED							
		Model	1310nm Multimode Isolator, with connectors					OP-ISOM-S/D-1310-XXX-Mx	
FIRST ANGLE PROJECTION 	MATERIAL	UNIT	SCALE	SIZE	SHEET	DRAWN	XUELING W	DATE	2025.10.16
	LSZH	m	/	A4	1	CHECKED	Zhimin C	DATE	2025.10.16
						APPROVED	Xueguan Z	DATE	2025.10.16



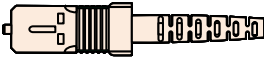

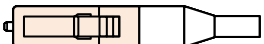
Specifications:


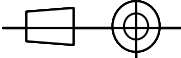
Parameter	Value	
Stage	Single	Dual
Operating wavelength	1480±10nm	1480±15nm
Min. Isolation@23°C	25dB	35dB
Max. Insertion loss@23°C	0.8dB	0.9dB
Return loss (In/out)	>35/30dB	
PDL	<0.2dB	
Max. Power Handling	0.3/1/3/5/10CW	
Max. Tensile Load	5N	
Fiber Type	MM 62.5/125; 50/125 Fiber/ as requested	
Operating Temperature	-20~+70°C	
Storage Temperature	-40~+85°C	
Dimensions	Φ 5.5*L35mm(<10W); 60*12*8(>10W)	
Connector Type		SC
		FC
		LC
		Others

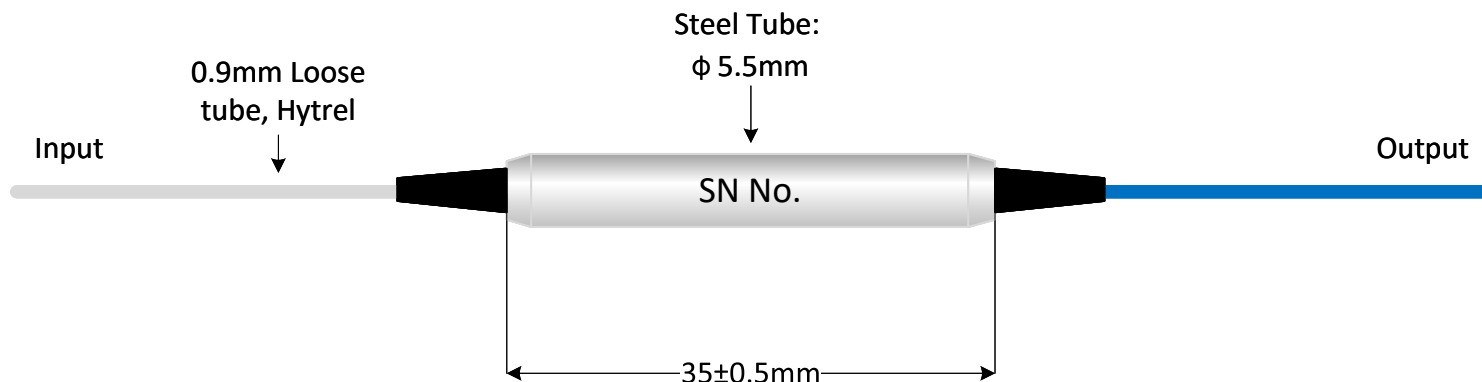
		OPTICO GROUP CO., LIMITED							
		Model	1480nm Multimode Isolator, with connectors					OP-ISOM-S/D-1480-XXX-Mx	
FIRST ANGLE PROJECTION 	MATERIAL	UNIT	SCALE	SIZE	SHEET	DRAWN	XUELING W	DATE	2025.10.16
	LSZH	m	/	A4	1	CHECKED	Zhimin C	DATE	2025.10.16
						APPROVED	Xueguan Z	DATE	2025.10.16



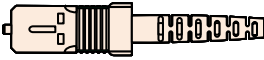

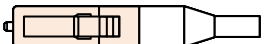
Specifications:

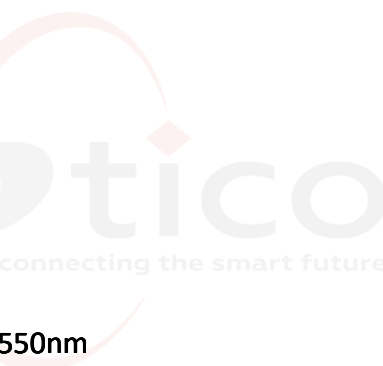
Parameter	Value	
Stage	Single	Dual
Operating wavelength	1550±10nm	1550±15nm
Min .Isolation@23°C	25dB	35dB
Max. Insertion loss@23°C	0.8dB	0.9dB
Return loss (In/out)	>35/30dB	
PDL	<0.2dB	
Max. Power Handing	0.3/1/3/5/10CW	
Max. Tensile Load	5N	
Fiber Type	MM 62.5/125; 50/125 Fiber/ as requested	
Operating Temperature	-20~+70°C	
Storage Temperature	-40~+85°C	
Dimensions	Φ 5.5*L35mm(<10W); 60*12*8(>10W)	
Connector Type		SC
		FC
		LC
		Others


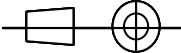
		OPTICO GROUP CO., LIMITED							
		Model	1550nm Multimode Isolator, with connectors					OP-ISOM-S/D-1550-XXX-Mx	
FIRST ANGLE PROJECTION 	MATERIAL	UNIT	SCALE	SIZE	SHEET	DRAWN	XUELING W	DATE	2025.10.16
	LSZH	m	/	A4	1	CHECKED	Zhimin C	DATE	2025.10.16
						APPROVED	Xueguan Z	DATE	2025.10.16



Specifications:

Parameter	Value	
Stage	Single	Dual
Operating wavelength	L band±10nm	L band±15nm
Min .Isolation@23°C	25dB	35dB
Max. Insertion loss@23°C	0.8dB	0.9dB
Return loss (In/out)	>35/30dB	
PDL	<0.2dB	
Max. Power Handing	0.3/1/3/5/10CW	
Max. Tensile Load	5N	
Fiber Type	MM 62.5/125; 50/125 Fiber/ as requested	
Operating Temperature	-20~+70°C	
Storage Temperature	-40~+85°C	
Dimensions	Φ 5.5*L35mm(<10W); 60*12*8(>10W)	
Connector Type		SC
		FC
		LC
	Others	



		OPTICO GROUP CO., LIMITED							
Model	L-band Multimode Isolator, with connectors						OP-ISOM-S/D-L-XXX-Mx		
FIRST ANGLE PROJECTION 	MATERIAL	UNIT	SCALE	SIZE	SHEET	DRAWN	XUELING W	DATE	2025.10.16
	LSZH	m	/	A4	1	CHECKED	Zhimin C	DATE	2025.10.16
						APPROVED	Xueguan Z	DATE	2025.10.16